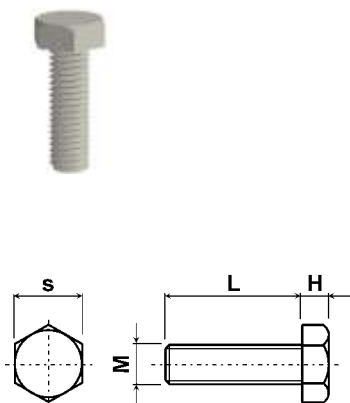
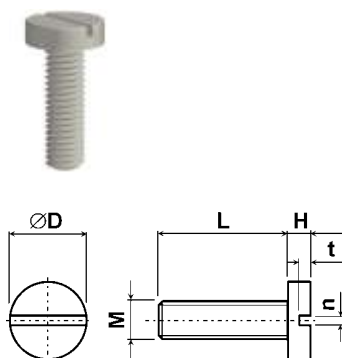


Šrouby plastové, hlava šestihránná (DIN933) Typ: 050b-110-MxL
Materiál: PA; Barva: přírodní



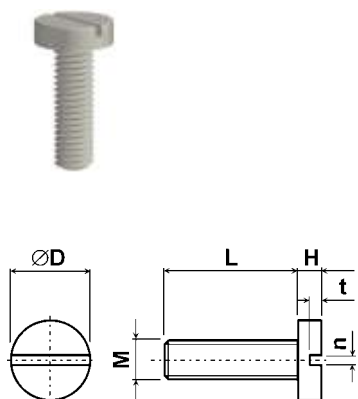
M x L	s	H	M x L	s	H
M 2 x 4	3.2	1.2	M 6 x 16	10.0	4.0
M 2 x 5	3.2	1.2	M 6 x 20	10.0	4.0
M 2 x 6	3.2	1.2	M 6 x 22	10.0	4.0
M 2 x 8	3.2	1.2	M 6 x 25	10.0	4.0
M 2 x 10	3.2	1.2	M 6 x 30	10.0	4.0
M 2 x 12	3.2	1.2	M 6 x 40	10.0	4.0
M 2 x 16	3.2	1.2	M 6 x 45	10.0	4.0
M 2 x 20	3.2	1.2	M 6 x 50	10.0	4.0
M 2 x 25	3.2	1.2	M 6 x 60	10.0	4.0
M 2.5 x 4	4.0	1.3	M 6 x 65	10.0	4.0
M 2.5 x 4.5	4.0	1.3	M 6 x 70	10.0	4.0
M 2.5 x 5	4.0	1.3	M 6 x 80	10.0	4.0
M 2.5 x 6	4.0	1.3	M 8 x 8	13.0	5.3
M 2.5 x 8	4.0	1.3	M 8 x 10	13.0	5.3
M 2.5 x 10	4.0	1.3	M 8 x 16	13.0	5.3
M 2.5 x 12	4.0	1.3	M 8 x 20	13.0	5.3
M 2.5 x 16	4.0	1.3	M 8 x 25	13.0	5.3
M 2.5 x 20	4.0	1.3	M 8 x 30	13.0	5.3
M 2.5 x 25	4.0	1.3	M 8 x 35	13.0	5.3
M 3 x 4	5.5	2.0	M 8 x 40	13.0	5.3
M 3 x 5	5.5	2.0	M 8 x 50	13.0	5.3
M 3 x 6	5.5	2.0	M 8 x 60	13.0	5.3
M 3 x 8	5.5	2.0	M 8 x 70	13.0	5.3
M 3 x 10	5.5	2.0	M 8 x 80	13.0	5.3
M 3 x 12	5.5	2.0	M10 x 16	17.0	6.4
M 3 x 16	5.5	2.0	M10 x 20	17.0	6.4
M 3 x 20	5.5	2.0	M10 x 25	17.0	6.4
M 3 x 25	5.5	2.0	M10 x 30	17.0	6.4
M 3 x 30	5.5	2.0	M10 x 40	17.0	6.4
M 4 x 6	7.0	2.8	M10 x 50	17.0	6.4
M 4 x 8	7.0	2.8	M10 x 60	17.0	6.4
M 4 x 10	7.0	2.8	M10 x 70	17.0	6.4
M 4 x 12	7.0	2.8	M10 x 80	17.0	6.4
M 4 x 16	7.0	2.8	M10 x 100	17.0	6.4
M 4 x 18	7.0	2.8	M12 x 16	19.0	7.5
M 4 x 20	7.0	2.8	M12 x 20	19.0	7.5
M 4 x 25	7.0	2.8	M12 x 30	19.0	7.5
M 4 x 30	7.0	2.8	M12 x 40	19.0	7.5
M 4 x 40	7.0	2.8	M12 x 50	19.0	7.5
M 5 x 6	8.0	3.5	M12 x 60	19.0	7.5
M 5 x 8	8.0	3.5	M12 x 70	19.0	7.5
M 5 x 10	8.0	3.5	M12 x 80	19.0	7.5
M 5 x 12	8.0	3.5	M12 x 90	19.0	7.5
M 5 x 16	8.0	3.5	M12 x 100	19.0	7.5
M 5 x 20	8.0	3.5	M16 x 16	24.0	10.0
M 5 x 25	8.0	3.5	M16 x 20	24.0	10.0
M 5 x 30	8.0	3.5	M16 x 30	24.0	10.0
M 5 x 40	8.0	3.5	M16 x 40	24.0	10.0
M 5 x 50	8.0	3.5	M16 x 50	24.0	10.0
M 6 x 5	10.0	4.0	M16 x 60	24.0	10.0
M 6 x 6.5	10.0	4.0	M16 x 80	24.0	10.0
M 6 x 8	10.0	4.0	M16 x 100	24.0	10.0
M 6 x 10	10.0	4.0	M18 x 50	27.0	11.5
M 6 x 12	10.0	4.0			



Šrouby plastové, hlava válcová (DIN84) Typ: 050-110-MxL
Materiál: PA; Barva: přírodní

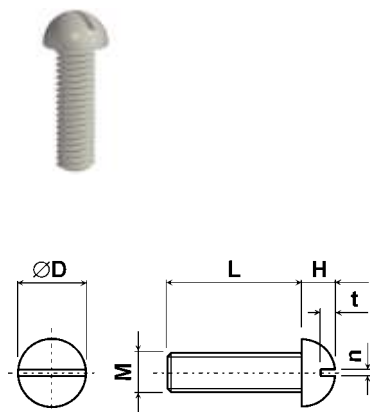
M x L	ØD	H	n	t	M x L	ØD	H	n	t
M 2 x 4	3.8	1.3	0.5	0.6	M 2 x 20	3.8	1.3	0.7	0.9
M 2 x 5	3.8	1.3	0.5	0.6	M 2 x 25	3.8	1.3	0.7	0.9
M 2 x 6	3.8	1.3	0.5	0.6	M 2.5 x 3	4.5	1.6	0.6	0.7
M 2 x 8	3.8	1.3	0.5	0.6	M 2.5 x 6	4.5	1.6	0.6	0.7
M 2 x 10	3.8	1.3	0.5	0.6	M 2.5 x 8	4.5	1.6	0.6	0.7
M 2 x 12	3.8	1.3	0.7	0.9	M 2.5 x 10	4.5	1.6	0.6	0.7
M 2 x 16	3.8	1.3	0.7	0.9	M 2.5 x 12	4.5	1.6	0.6	0.7

Šrouby plastové, hlava válcová (DIN84) Typ: 050-110-MxL
Materiál: PA; Barva: přírodní



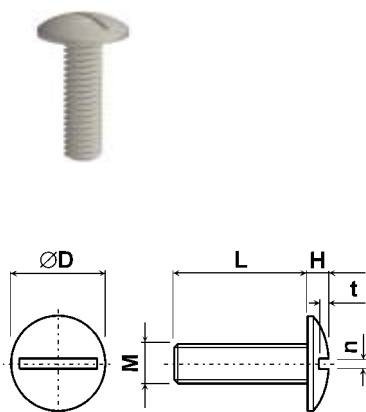
M x L	ØD	H	n	t	M x L	ØD	H	n	t
M 2.5 x 16	4.5	1.6	0.6	0.7	M 6 x 12	10.0	3.9	1.6	1.6
M 2.5 x 20	4.5	1.6	0.8	1.0	M 6 x 16	10.0	3.9	1.6	1.6
M 2.5 x 25	4.5	1.6	0.8	1.0	M 6 x 20	10.0	3.9	1.6	1.6
M 3 x 4	5.5	2.0	0.8	0.9	M 6 x 22	10.0	3.9	1.6	1.6
M 3 x 5	5.5	2.0	0.8	0.9	M 6 x 25	10.0	3.9	1.6	1.6
M 3 x 6	5.5	2.0	0.8	0.9	M 6 x 30	10.0	3.9	1.6	1.6
M 3 x 8	5.5	2.0	0.8	0.9	M 6 x 40	10.0	3.9	1.6	1.6
M 3 x 10	5.5	2.0	0.8	0.9	M 6 x 50	10.0	3.9	1.6	1.6
M 3 x 12	5.5	2.0	0.8	0.9	M 6 x 60	10.0	3.9	1.6	1.6
M 3 x 16	5.5	2.0	0.8	0.9	M 6 x 70	10.0	3.9	1.6	1.6
M 3 x 20	5.5	2.0	0.8	0.9	M 6 x 80	10.0	3.9	1.6	1.6
M 3 x 25	5.5	2.0	0.8	0.9	M 8 x 8	13.0	5.0	2.0	2.0
M 3 x 30	5.5	2.0	0.8	0.9	M 8 x 10	13.0	5.0	2.0	2.0
M 3 x 35	6.0	2.4	1.0	1.3	M 8 x 16	13.0	5.0	2.0	2.0
M 3 x 40	6.0	2.4	1.0	1.3	M 8 x 20	13.0	5.0	2.0	2.0
M 4 x 6	7.0	2.6	1.2	1.1	M 8 x 25	13.0	5.0	2.0	2.0
M 4 x 8	7.0	2.6	1.2	1.1	M 8 x 30	13.0	5.0	2.0	2.0
M 4 x 10	7.0	2.6	1.2	1.1	M 8 x 35	13.0	5.0	2.0	2.0
M 4 x 12	7.0	2.6	1.2	1.1	M 8 x 40	13.0	5.0	2.0	2.0
M 4 x 16	7.0	2.6	1.2	1.1	M 8 x 50	13.0	5.0	2.0	2.0
M 4 x 20	7.0	2.6	1.2	1.1	M 8 x 60	13.0	5.0	2.0	2.0
M 4 x 25	7.0	2.6	1.2	1.1	M 8 x 70	13.0	5.0	2.0	2.0
M 4 x 30	7.0	2.6	1.2	1.1	M 8 x 80	13.0	5.0	2.0	2.0
M 4 x 40	7.0	2.6	1.2	1.1	M10 x 16	16.0	6.0	2.5	2.4
M 5 x 6	8.5	3.3	1.2	1.3	M10 x 20	16.0	6.0	2.5	2.4
M 5 x 8	8.5	3.3	1.2	1.3	M10 x 30	16.0	6.0	2.5	2.4
M 5 x 10	8.5	3.3	1.2	1.3	M10 x 40	16.0	6.0	2.5	2.4
M 5 x 12	8.5	3.3	1.2	1.3	M10 x 50	16.0	6.0	2.5	2.4
M 5 x 16	8.5	3.3	1.2	1.3	M10 x 60	16.0	6.0	2.5	2.4
M 5 x 20	8.5	3.3	1.2	1.3	M10 x 70	16.0	6.0	2.5	2.4
M 5 x 25	8.5	3.3	1.2	1.3	M10 x 80	16.0	6.0	2.5	2.4
M 5 x 30	8.5	3.3	1.2	1.3	M12 x 40	19.0	8.0	2.5	2.4
M 5 x 40	8.5	3.3	1.2	1.3	M12 x 50	19.0	8.0	2.5	2.4
M 5 x 50	8.5	3.3	1.2	1.3	M12 x 60	19.0	8.0	2.5	2.4
M 5 x 60	8.5	3.3	1.2	1.3	M12 x 70	19.0	8.0	2.5	2.4
M 5 x 70	8.5	3.3	1.2	1.3	M16 x 40	23.0	9.5	4.5	3.5
M 6 x 6.5	10.0	3.9	1.6	1.6	M16 x 50	23.0	9.5	4.5	3.5
M 6 x 8	10.0	3.9	1.6	1.6	M16 x 60	23.0	9.5	4.5	3.5
M 6 x 10	10.0	3.9	1.6	1.6					

Šrouby plastové, hlava půlkulatá Typ: 050d-110-MxL
Materiál: PA; Barva: přírodní



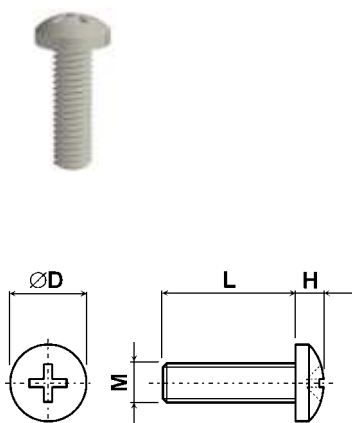
M x L	ØD	H	n	t	M x L	ØD	H	n	t
M 3 x 4	5.5	2.7	0.8	0.9	M 5 x 8	9.0	4.5	1.1	1.4
M 3 x 5	5.5	2.7	0.8	0.9	M 5 x 10	9.0	4.5	1.1	1.4
M 3 x 6	5.5	2.7	0.8	0.9	M 5 x 12	9.0	4.5	1.1	1.4
M 3 x 8	5.5	2.7	0.8	0.9	M 5 x 16	9.0	4.5	1.1	1.4
M 3 x 10	5.5	2.7	0.8	0.9	M 5 x 20	9.0	4.5	1.1	1.4
M 3 x 12	5.5	2.7	0.8	0.9	M 6 x 6.5	10.0	5.0	1.6	1.6
M 3 x 16	5.5	2.7	0.8	0.9	M 6 x 8	10.0	5.0	1.6	1.6
M 3 x 20	5.5	2.7	0.8	0.9	M 6 x 10	10.0	5.0	1.6	1.6
M 3 x 25	5.5	2.7	0.8	0.9	M 6 x 12	10.0	5.0	1.6	1.6
M 4 x 6	7.0	3.5	1.0	1.3	M 6 x 16	10.0	5.0	1.6	1.6
M 4 x 8	7.0	3.5	1.0	1.3	M 6 x 20	10.0	5.0	1.6	1.6
M 4 x 10	7.0	3.5	1.0	1.3	M 6 x 22	10.0	5.0	1.6	1.6
M 4 x 12	7.0	3.5	1.0	1.3	M 6 x 25	10.0	5.0	1.6	1.6
M 4 x 16	7.0	3.5	1.0	1.3	M 6 x 30	10.0	5.0	1.6	1.6
M 4 x 20	7.0	3.5	1.0	1.3					

Šrouby plastové, hlava čočková Typ: 050f-110-MxL
Materiál: PA; Barva: přírodní



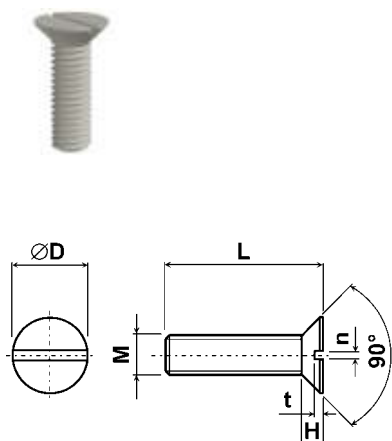
M x L	ØD	H	n	t	M x L	ØD	H	n	t
M 4 x 6	10.0	2.2	1.2	1.0	M 6 x 12	15.0	3.3	1.6	1.5
M 4 x 8	10.0	2.2	1.2	1.0	M 6 x 16	15.0	3.3	1.6	1.5
M 4 x 10	10.0	2.2	1.2	1.0	M 6 x 20	15.0	3.3	1.6	1.5
M 4 x 12	10.0	2.2	1.2	1.0	M 6 x 22	15.0	3.3	1.6	1.5
M 4 x 16	10.0	2.2	1.2	1.0	M 6 x 25	15.0	3.3	1.6	1.5
M 4 x 20	10.0	2.2	1.2	1.0	M 6 x 30	15.0	3.3	1.6	1.5
M 5 x 8	12.5	2.7	1.2	1.2	M 6 x 40	15.0	3.3	1.6	1.5
M 5 x 10	12.5	2.7	1.2	1.2	M 6 x 50	15.0	3.3	1.6	1.5
M 5 x 12	12.5	2.7	1.2	1.2	M 6 x 60	15.0	3.3	1.6	1.5
M 5 x 16	12.5	2.7	1.2	1.2	M 6 x 65	15.0	3.3	1.6	1.5
M 5 x 20	12.5	2.7	1.2	1.2	M 6 x 80	15.0	3.3	1.6	1.5
M 5 x 25	12.5	2.7	1.2	1.2	M 8 x 10	20.0	4.4	2.0	2.0
M 5 x 30	12.5	2.7	1.2	1.2	M 8 x 16	20.0	4.4	2.0	2.0
M 5 x 40	12.5	2.7	1.2	1.2	M 8 x 20	20.0	4.4	2.0	2.0
M 6 x 6.5	15.0	3.3	1.6	1.5	M 8 x 25	20.0	4.4	2.0	2.0
M 6 x 8	15.0	3.3	1.6	1.5	M 8 x 30	20.0	4.4	2.0	2.0
M 6 x 10	15.0	3.3	1.6	1.5	M 8 x 35	20.0	4.4	2.0	2.0

Šrouby plastové, hlava válcová zakulacená (Phillips) Typ: 050c-110-MxL
Materiál: PA; Barva: přírodní



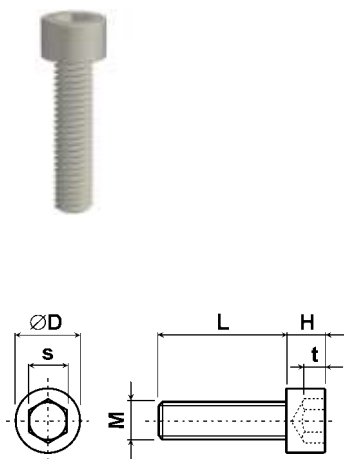
M x L	ØD	H	M x L	ØD	H
M 2 x 4	3.8	1.3	M 4 x 40	8.0	3.1
M 2 x 5	3.8	1.3	M 5 x 6	9.5	3.7
M 2 x 6	3.8	1.3	M 5 x 8	9.5	3.7
M 2 x 8	3.8	1.3	M 5 x 10	9.5	3.7
M 2 x 10	3.8	1.3	M 5 x 12	9.5	3.7
M 2 x 12	3.8	1.3	M 5 x 16	9.5	3.7
M 2 x 16	3.8	1.3	M 5 x 20	9.5	3.7
M 2 x 20	3.8	1.3	M 5 x 25	9.5	3.7
M 2 x 25	3.8	1.3	M 5 x 30	9.5	3.7
M 2.5 x 4	4.5	1.6	M 5 x 40	9.5	3.7
M 2.5 x 5	4.5	1.6	M 5 x 50	9.5	3.7
M 2.5 x 6	4.5	1.6	M 6 x 6	12.0	4.6
M 2.5 x 8	4.5	1.6	M 6 x 8	12.0	4.6
M 2.5 x 10	4.5	1.6	M 6 x 10	12.0	4.6
M 2.5 x 12	4.5	1.6	M 6 x 12	12.0	4.6
M 2.5 x 16	4.5	1.6	M 6 x 16	12.0	4.6
M 2.5 x 20	4.5	1.6	M 6 x 20	12.0	4.6
M 2.5 x 25	4.5	1.6	M 6 x 25	12.0	4.6
M 3 x 4	5.6	2.4	M 6 x 30	12.0	4.6
M 3 x 5	5.6	2.4	M 6 x 40	12.0	4.6
M 3 x 6	5.6	2.4	M 6 x 50	12.0	4.6
M 3 x 8	5.6	2.4	M 6 x 60	12.0	4.6
M 3 x 10	5.6	2.4	M 8 x 10	16.0	6.0
M 3 x 12	5.6	2.4	M 8 x 16	16.0	6.0
M 3 x 16	5.6	2.4	M 8 x 20	16.0	6.0
M 3 x 20	5.6	2.4	M 8 x 25	16.0	6.0
M 3 x 25	5.6	2.4	M 8 x 30	16.0	6.0
M 3 x 30	5.6	2.4	M 8 x 35	16.0	6.0
M 4 x 6	8.0	3.1	M 8 x 40	16.0	6.0
M 4 x 8	8.0	3.1	M 8 x 50	16.0	6.0
M 4 x 10	8.0	3.1	M 8 x 60	16.0	6.0
M 4 x 12	8.0	3.1	M10 x 16	20.0	7.5
M 4 x 16	8.0	3.1	M10 x 20	20.0	7.5
M 4 x 18	8.0	3.1	M10 x 30	20.0	7.5
M 4 x 20	8.0	3.1	M10 x 40	20.0	7.5
M 4 x 25	8.0	3.1	M10 x 50	20.0	7.5
M 4 x 30	8.0	3.1	M10 x 60	20.0	7.5

Šrouby plastové, hlava zápustná (DIN963) Typ: 050a-110-MxL
Materiál: PA; Barva: přírodní



M x L	ØD	H	n	t	M x L	ØD	H	n	t
M 2 x 4	4.0	1.2	0.6	0.5	M 5 x 6	9.2	2.5	1.2	1.4
M 2 x 5	4.0	1.2	0.6	0.5	M 5 x 8	9.2	2.5	1.2	1.4
M 2 x 6	4.0	1.2	0.6	0.5	M 5 x 10	10.4	2.7	1.2	1.4
M 2 x 8	4.0	1.2	0.6	0.5	M 5 x 12	10.4	2.7	1.2	1.4
M 2 x 10	4.0	1.2	0.6	0.5	M 5 x 16	10.4	2.7	1.2	1.4
M 2 x 12	4.0	1.2	0.6	0.5	M 5 x 18	10.4	2.7	1.2	1.4
M 2 x 16	4.0	1.2	0.6	0.5	M 5 x 20	10.4	2.7	1.2	1.4
M 2 x 25	4.0	1.2	0.6	0.5	M 5 x 25	10.4	2.7	1.2	1.4
M 2.5 x 4	4.7	1.5	0.7	0.6	M 5 x 30	10.4	2.7	1.2	1.4
M 2.5 x 5	4.7	1.5	0.7	0.6	M 5 x 35	10.4	2.7	1.2	1.4
M 2.5 x 6	4.7	1.5	0.7	0.6	M 5 x 40	10.4	2.7	1.2	1.4
M 2.5 x 8	4.7	1.5	0.7	0.6	M 5 x 50	10.4	2.7	1.2	1.4
M 2.5 x 10	4.7	1.5	0.7	0.6	M 5 x 60	10.4	2.7	1.2	1.4
M 2.5 x 12	4.7	1.5	0.7	0.6	M 6 x 8	12.6	3.3	1.6	1.6
M 2.5 x 16	4.7	1.5	0.7	0.6	M 6 x 10	12.6	3.3	1.6	1.6
M 2.5 x 20	4.7	1.5	0.7	0.6	M 6 x 12	12.6	3.3	1.6	1.6
M 2.5 x 25	4.7	1.5	0.7	0.6	M 6 x 16	12.6	3.3	1.6	1.6
M 3 x 4	6.3	1.7	0.8	0.9	M 6 x 20	12.6	3.3	1.6	1.6
M 3 x 6	6.3	1.7	0.8	0.9	M 6 x 25	12.6	3.3	1.6	1.6
M 3 x 8	6.3	1.7	0.8	0.9	M 6 x 30	12.6	3.3	1.6	1.6
M 3 x 10	6.3	1.7	0.8	0.9	M 6 x 40	12.6	3.3	1.6	1.6
M 3 x 12	6.3	1.7	0.8	0.9	M 6 x 50	12.6	3.3	1.6	1.6
M 3 x 16	6.3	1.7	0.8	0.9	M 6 x 60	12.6	3.3	1.6	1.6
M 3 x 20	6.3	1.7	0.8	0.9	M 8 x 16	17.3	4.7	2.0	2.3
M 3 x 25	6.3	1.7	0.8	0.9	M 8 x 20	17.3	4.7	2.0	2.3
M 3 x 30	5.6	1.7	0.9	0.7	M 8 x 25	17.3	4.7	2.0	2.3
M 3 x 40	5.6	1.7	0.9	0.7	M 8 x 30	17.3	4.7	2.0	2.3
M 4 x 6	9.4	2.7	1.2	1.3	M 8 x 40	17.3	4.7	2.0	2.3
M 4 x 8	9.4	2.7	1.2	1.3	M 8 x 50	17.3	4.7	2.0	2.3
M 4 x 10	9.4	2.7	1.2	1.3	M 8 x 60	17.3	4.7	2.0	2.3
M 4 x 12	9.4	2.7	1.2	1.3	M10 x 20	18.0	5.0	2.6	2.3
M 4 x 16	9.4	2.7	1.2	1.3	M10 x 25	18.0	5.0	2.6	2.3
M 4 x 18	9.4	2.7	1.2	1.3	M10 x 30	18.0	5.0	2.6	2.3
M 4 x 20	9.4	2.7	1.2	1.3	M10 x 35	18.0	5.0	2.6	2.3
M 4 x 25	9.4	2.7	1.2	1.3	M10 x 40	18.0	5.0	2.6	2.3
M 4 x 30	9.4	2.7	1.2	1.3	M10 x 50	18.0	5.0	2.6	2.3
M 4 x 35	9.4	2.7	1.2	1.3	M10 x 60	18.0	5.0	2.6	2.3
M 4 x 40	9.4	2.7	1.2	1.3					

Šrouby plastové, hlava válcová (DIN912) Typ: 050e-110-MxL
Materiál: PA; Barva: přírodní



M x L	ØD	s	H	t	M x L	ØD	s	H	t
M 6 x 6.5	10.0	5.0	6.0	3.0	M 8 x 60	13.0	6.0	8.0	4.0
M 6 x 8	10.0	5.0	6.0	3.0	M 8 x 70	13.0	6.0	8.0	4.0
M 6 x 10	10.0	5.0	6.0	3.0	M 8 x 80	13.0	6.0	8.0	4.0
M 6 x 12	10.0	5.0	6.0	3.0	M10 x 16	16.0	8.0	10.0	5.0
M 6 x 16	10.0	5.0	6.0	3.0	M10 x 20	16.0	8.0	10.0	5.0
M 6 x 20	10.0	5.0	6.0	3.0	M10 x 30	16.0	8.0	10.0	5.0
M 6 x 22	10.0	5.0	6.0	3.0	M10 x 40	16.0	8.0	10.0	5.0
M 6 x 25	10.0	5.0	6.0	3.0	M10 x 50	16.0	8.0	10.0	5.0
M 6 x 30	10.0	5.0	6.0	3.0	M10 x 60	16.0	8.0	10.0	5.0
M 6 x 40	10.0	5.0	6.0	3.0	M10 x 70	16.0	8.0	10.0	5.0
M 6 x 50	10.0	5.0	6.0	3.0	M10 x 80	16.0	8.0	10.0	5.0
M 6 x 60	10.0	5.0	6.0	3.0	M12 x 20	18.0	10.0	12.0	6.0
M 8 x 10	13.0	6.0	8.0	4.0	M12 x 30	18.0	10.0	12.0	6.0
M 8 x 16	13.0	6.0	8.0	4.0	M12 x 40	18.0	10.0	12.0	6.0
M 8 x 20	13.0	6.0	8.0	4.0	M12 x 50	18.0	10.0	12.0	6.0
M 8 x 25	13.0	6.0	8.0	4.0	M12 x 60	18.0	10.0	12.0	6.0
M 8 x 30	13.0	6.0	8.0	4.0	M12 x 70	18.0	10.0	12.0	6.0
M 8 x 40	13.0	6.0	8.0	4.0	M12 x 80	18.0	10.0	12.0	6.0
M 8 x 50	13.0	6.0	8.0	4.0					