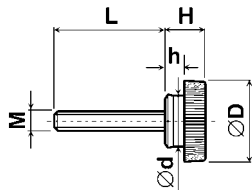
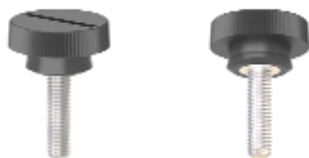
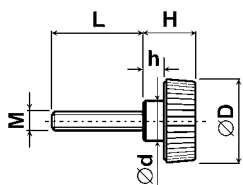


Šrouby kovové s plastovou hlavou Typ: 105-068-D/MxL
Materiál: PA, závit pozinkovaný; Barva: černá



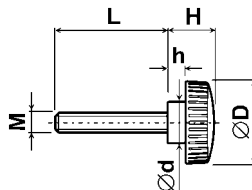
$\varnothing D$	$M \times L$	$\varnothing d$	H	h
15.0	M 4 x 10	10.0	8.0	4.0
15.0	M 4 x 12	10.0	8.0	4.0
15.0	M 4 x 16	10.0	8.0	4.0
15.0	M 4 x 20	10.0	8.0	4.0
15.0	M 4 x 25	10.0	8.0	4.0
15.0	M 4 x 30	10.0	8.0	4.0

Šrouby kovové s plastovou hlavou Typ: 105b-068-D/MxL
Materiál: PA, závit pozinkovaný; Barva: černá



$\varnothing D$	$M \times L$	$\varnothing d$	H	h
22.0	M 5 x 10	12.0	12.0	3.0
22.0	M 5 x 12	12.0	12.0	3.0
22.0	M 5 x 16	12.0	12.0	3.0
22.0	M 5 x 20	12.0	12.0	3.0
22.0	M 5 x 25	12.0	12.0	3.0
22.0	M 5 x 30	12.0	12.0	3.0
22.0	M 5 x 35	12.0	12.0	3.0
22.0	M 5 x 40	12.0	12.0	3.0
22.0	M 6 x 10	12.0	12.0	3.0
22.0	M 6 x 12	12.0	12.0	3.0
22.0	M 6 x 16	12.0	12.0	3.0
22.0	M 6 x 18	12.0	12.0	3.0
22.0	M 6 x 20	12.0	12.0	3.0
22.0	M 6 x 25	12.0	12.0	3.0
22.0	M 6 x 30	12.0	12.0	3.0
22.0	M 6 x 35	12.0	12.0	3.0
22.0	M 6 x 40	12.0	12.0	3.0

Šrouby kovové s plastovou hlavou Typ: 105-034-D/MxL
Materiál: PA, závit pozinkovaný; Barva: černá

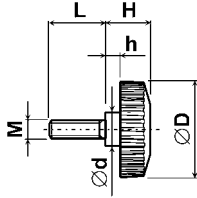


$\varnothing D$	$M \times L$	$\varnothing d$	H	h	$\varnothing D$	$M \times L$	$\varnothing d$	H	h
22.0	M 5 x 10	13.0	15.0	5.0	30.0	M 8 x 35	15.0	17.0	6.0
22.0	M 5 x 15	13.0	15.0	5.0	30.0	M 8 x 40	15.0	17.0	6.0
22.0	M 5 x 20	13.0	15.0	5.0	40.0	M 6 x 10	19.0	22.0	9.0
22.0	M 5 x 25	13.0	15.0	5.0	40.0	M 6 x 15	19.0	22.0	9.0
22.0	M 5 x 30	13.0	15.0	5.0	40.0	M 6 x 20	19.0	22.0	9.0
22.0	M 6 x 10	13.0	15.0	5.0	40.0	M 6 x 25	19.0	22.0	9.0
22.0	M 6 x 15	13.0	15.0	5.0	40.0	M 6 x 30	19.0	22.0	9.0
22.0	M 6 x 20	13.0	15.0	5.0	40.0	M 6 x 40	19.0	22.0	9.0
22.0	M 6 x 25	13.0	15.0	5.0	40.0	M 8 x 15	19.0	22.0	9.0
22.0	M 6 x 30	13.0	15.0	5.0	40.0	M 8 x 20	19.0	22.0	9.0
30.0	M 5 x 10	15.0	17.0	6.0	40.0	M 8 x 25	19.0	22.0	9.0
30.0	M 5 x 15	15.0	17.0	6.0	40.0	M 8 x 30	19.0	22.0	9.0
30.0	M 5 x 20	15.0	17.0	6.0	40.0	M 8 x 35	19.0	22.0	9.0
30.0	M 5 x 25	15.0	17.0	6.0	40.0	M 8 x 40	19.0	22.0	9.0
30.0	M 5 x 30	15.0	17.0	6.0	50.0	M 8 x 15	21.0	30.0	16.0
30.0	M 6 x 10	15.0	17.0	6.0	50.0	M 8 x 20	21.0	30.0	16.0
30.0	M 6 x 15	15.0	17.0	6.0	50.0	M 8 x 25	21.0	30.0	16.0
30.0	M 6 x 20	15.0	17.0	6.0	50.0	M 8 x 30	21.0	30.0	16.0
30.0	M 6 x 25	15.0	17.0	6.0	50.0	M 8 x 35	21.0	30.0	16.0
30.0	M 6 x 30	15.0	17.0	6.0	50.0	M 8 x 40	21.0	30.0	16.0
30.0	M 6 x 35	15.0	17.0	6.0	50.0	M10 x 15	21.0	30.0	16.0
30.0	M 6 x 40	15.0	17.0	6.0	50.0	M10 x 20	21.0	30.0	16.0
30.0	M 8 x 15	15.0	17.0	6.0	50.0	M10 x 25	21.0	30.0	16.0
30.0	M 8 x 20	15.0	17.0	6.0	50.0	M10 x 30	21.0	30.0	16.0
30.0	M 8 x 25	15.0	17.0	6.0	50.0	M10 x 35	21.0	30.0	16.0
30.0	M 8 x 30	15.0	17.0	6.0	50.0	M10 x 40	21.0	30.0	16.0

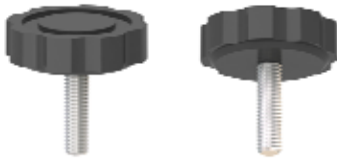
Šrouby kovové s plastovou hlavou Typ: 105e-037-D/MxL
Materiál: PA, závit pozinkovaný; Barva: černá



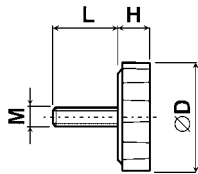
$\varnothing D$	$M \times L$	$\varnothing d$	H	h
50.0	M10 x 20	18.0	24.0	8.0
50.0	M10 x 25	18.0	24.0	8.0
50.0	M10 x 30	18.0	24.0	8.0



Šrouby kovové s plastovou hlavou Typ: 105e-007-D/MxL
Materiál: PP, závit pozinkovaný; Barva: černá



$\varnothing D$	$M \times L$	H	$\varnothing D$	$M \times L$	H
43.0	M 6 x 8	12.0	63.0	M 8 x 13	13.0
43.0	M 6 x 13	12.0	63.0	M 8 x 18	13.0
43.0	M 6 x 18	12.0	63.0	M 8 x 23	13.0
43.0	M 6 x 23	12.0	63.0	M 8 x 28	13.0
43.0	M 6 x 28	12.0	63.0	M 8 x 33	13.0
43.0	M 6 x 33	12.0	63.0	M 8 x 38	13.0
43.0	M 6 x 38	12.0	63.0	M 8 x 43	13.0
43.0	M 8 x 8	12.0	63.0	M 8 x 48	13.0
43.0	M 8 x 13	12.0	63.0	M10 x 18	13.0
43.0	M 8 x 18	12.0	63.0	M10 x 23	13.0
43.0	M 8 x 23	12.0	63.0	M10 x 28	13.0
43.0	M 8 x 28	12.0	63.0	M10 x 33	13.0
43.0	M 8 x 33	12.0	63.0	M10 x 38	13.0
43.0	M 8 x 38	12.0	63.0	M10 x 43	13.0
43.0	M 8 x 43	12.0	63.0	M10 x 48	13.0
43.0	M 8 x 48	12.0	63.0	M10 x 53	13.0
43.0	M10 x 8	12.0	63.0	M10 x 58	13.0
43.0	M10 x 13	12.0	63.0	M10 x 63	13.0
43.0	M10 x 18	12.0	63.0	M10 x 68	13.0
43.0	M10 x 23	12.0	63.0	M12 x 28	13.0
43.0	M10 x 28	12.0	63.0	M12 x 33	13.0
43.0	M10 x 33	12.0	63.0	M12 x 38	13.0
43.0	M10 x 38	12.0	63.0	M12 x 43	13.0
43.0	M10 x 43	12.0	63.0	M12 x 48	13.0
43.0	M10 x 48	12.0	63.0	M12 x 53	13.0
43.0	M10 x 53	12.0	63.0	M12 x 58	13.0
43.0	M10 x 58	12.0	63.0	M12 x 63	13.0
43.0	M10 x 63	12.0	63.0	M12 x 68	13.0
43.0	M10 x 68	12.0	63.0	M12 x 73	13.0
63.0	M 8 x 8	13.0	63.0	M12 x 78	13.0

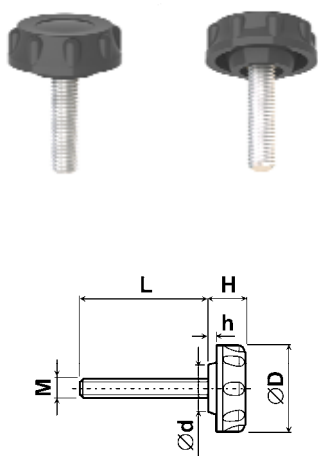


Šrouby kovové s plastovou hlavou Typ: 105f-037-D/MxL
Materiál: PP, závit pozinkovaný; Barva: černá



ØD	M x L	Ød	H	h
63.0	M 6 x 32	17.5	39.0	18.0
63.0	M 8 x 15	17.5	39.0	18.0
63.0	M 8 x 30	17.5	33.0	12.5

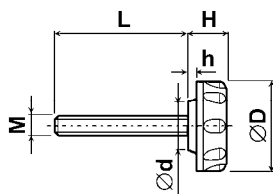
Šrouby kovové s plastovou hlavou Typ: 105b-007-D/MxL
Materiál: PP, závit pozinkovaný; Barva: černá



ØD	M x L	Ød	H	h	ØD	M x L	Ød	H	h
18.0	M 4 x 8	12.5	10.0	1.0	40.0	M 8 x 23	21.0	17.0	4.0
18.0	M 4 x 13	12.5	10.0	1.0	40.0	M 8 x 28	21.0	17.0	4.0
18.0	M 4 x 18	12.5	10.0	1.0	40.0	M 8 x 33	21.0	17.0	4.0
18.0	M 4 x 23	12.5	10.0	1.0	40.0	M 8 x 38	21.0	17.0	4.0
18.0	M 4 x 28	12.5	10.0	1.0	40.0	M 8 x 43	21.0	17.0	4.0
18.0	M 4 x 33	12.5	10.0	1.0	40.0	M 8 x 48	21.0	17.0	4.0
18.0	M 5 x 8	12.5	10.0	1.0	40.0	M 8 x 53	21.0	17.0	4.0
18.0	M 5 x 13	12.5	10.0	1.0	40.0	M 8 x 58	21.0	17.0	4.0
18.0	M 5 x 18	12.5	10.0	1.0	40.0	M10 x 8	21.0	17.0	4.0
18.0	M 5 x 23	12.5	10.0	1.0	40.0	M10 x 13	21.0	17.0	4.0
18.0	M 5 x 28	12.5	10.0	1.0	40.0	M10 x 18	21.0	17.0	4.0
18.0	M 5 x 33	12.5	10.0	1.0	40.0	M10 x 23	21.0	17.0	4.0
18.0	M 5 x 38	12.5	10.0	1.0	40.0	M10 x 28	21.0	17.0	4.0
18.0	M 6 x 8	12.5	10.0	1.0	40.0	M10 x 33	21.0	17.0	4.0
18.0	M 6 x 13	12.5	10.0	1.0	40.0	M10 x 38	21.0	17.0	4.0
18.0	M 6 x 18	12.5	10.0	1.0	40.0	M10 x 43	21.0	17.0	4.0
18.0	M 6 x 23	12.5	10.0	1.0	40.0	M10 x 48	21.0	17.0	4.0
18.0	M 6 x 28	12.5	10.0	1.0	40.0	M10 x 53	21.0	17.0	4.0
18.0	M 6 x 33	12.5	10.0	1.0	40.0	M10 x 58	21.0	17.0	4.0
18.0	M 6 x 38	12.5	10.0	1.0	40.0	M12 x 8	21.0	17.0	4.0
27.0	M 5 x 8	15.5	11.5	2.5	40.0	M12 x 13	21.0	17.0	4.0
27.0	M 5 x 13	15.5	11.5	2.5	40.0	M12 x 18	21.0	17.0	4.0
27.0	M 5 x 18	15.5	11.5	2.5	40.0	M12 x 23	21.0	17.0	4.0
27.0	M 5 x 23	15.5	11.5	2.5	40.0	M12 x 28	21.0	17.0	4.0
27.0	M 5 x 28	15.5	11.5	2.5	40.0	M12 x 33	21.0	17.0	4.0
27.0	M 5 x 33	15.5	11.5	2.5	40.0	M12 x 38	21.0	17.0	4.0
27.0	M 5 x 38	15.5	11.5	2.5	40.0	M12 x 43	21.0	17.0	4.0
27.0	M 5 x 43	15.5	11.5	2.5	40.0	M12 x 48	21.0	17.0	4.0
27.0	M 5 x 48	15.5	11.5	2.5	40.0	M12 x 53	21.0	17.0	4.0
27.0	M 6 x 8	15.5	11.5	2.5	40.0	M12 x 58	21.0	17.0	4.0
27.0	M 6 x 13	15.5	11.5	2.5	40.0	M12 x 63	21.0	17.0	4.0
27.0	M 6 x 18	15.5	11.5	2.5	40.0	M12 x 68	21.0	17.0	4.0
27.0	M 6 x 23	15.5	11.5	2.5	40.0	M12 x 73	21.0	17.0	4.0
27.0	M 6 x 28	15.5	11.5	2.5	40.0	M12 x 78	21.0	17.0	4.0
27.0	M 6 x 33	15.5	11.5	2.5	50.0	M 8 x 8	21.0	17.0	4.0
27.0	M 6 x 38	15.5	11.5	2.5	50.0	M 8 x 13	21.0	17.0	4.0
27.0	M 6 x 43	15.5	11.5	2.5	50.0	M 8 x 18	21.0	17.0	4.0
27.0	M 6 x 48	15.5	11.5	2.5	50.0	M 8 x 23	21.0	17.0	4.0
27.0	M 8 x 8	15.5	11.5	2.5	50.0	M 8 x 28	21.0	17.0	4.0
27.0	M 8 x 13	15.5	11.5	2.5	50.0	M 8 x 33	21.0	17.0	4.0
27.0	M 8 x 18	15.5	11.5	2.5	50.0	M 8 x 38	21.0	17.0	4.0
27.0	M 8 x 23	15.5	11.5	2.5	50.0	M 8 x 43	21.0	17.0	4.0
27.0	M 8 x 28	15.5	11.5	2.5	50.0	M 8 x 48	21.0	17.0	4.0
27.0	M 8 x 33	15.5	11.5	2.5	50.0	M 8 x 53	21.0	17.0	4.0
27.0	M 8 x 38	15.5	11.5	2.5	50.0	M 8 x 58	21.0	17.0	4.0
27.0	M 8 x 43	15.5	11.5	2.5	50.0	M10 x 8	21.0	17.0	4.0
27.0	M 8 x 48	15.5	11.5	2.5	50.0	M10 x 13	21.0	17.0	4.0
40.0	M 8 x 8	21.0	17.0	4.0	50.0	M10 x 18	21.0	17.0	4.0
40.0	M 8 x 13	21.0	17.0	4.0	50.0	M10 x 23	21.0	17.0	4.0
40.0	M 8 x 18	21.0	17.0	4.0	50.0	M10 x 28	21.0	17.0	4.0

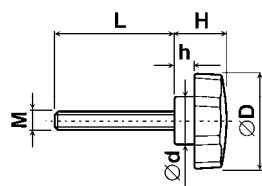


Šrouby kovové s plastovou hlavou Typ: 105b-007-D/MxL
Materiál: PP, závit pozinkovaný; Barva: černá



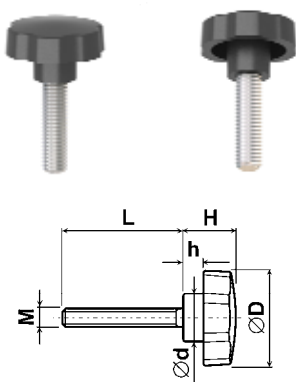
ØD	M x L	Ød	H	h	ØD	M x L	Ød	H	h
50.0	M10 x 33	21.0	17.0	4.0	65.0	M10 x 28	25.0	20.0	6.0
50.0	M10 x 38	21.0	17.0	4.0	65.0	M10 x 33	25.0	20.0	6.0
50.0	M10 x 43	21.0	17.0	4.0	65.0	M10 x 38	25.0	20.0	6.0
50.0	M10 x 48	21.0	17.0	4.0	65.0	M10 x 43	25.0	20.0	6.0
50.0	M10 x 53	21.0	17.0	4.0	65.0	M10 x 48	25.0	20.0	6.0
50.0	M10 x 58	21.0	17.0	4.0	65.0	M10 x 53	25.0	20.0	6.0
50.0	M10 x 63	21.0	17.0	4.0	65.0	M10 x 58	25.0	20.0	6.0
50.0	M10 x 68	21.0	17.0	4.0	65.0	M10 x 63	25.0	20.0	6.0
50.0	M12 x 8	21.0	17.0	4.0	65.0	M10 x 68	25.0	20.0	6.0
50.0	M12 x 13	21.0	17.0	4.0	65.0	M10 x 73	25.0	20.0	6.0
50.0	M12 x 18	21.0	17.0	4.0	65.0	M10 x 78	25.0	20.0	6.0
50.0	M12 x 23	21.0	17.0	4.0	65.0	M12 x 8	25.0	20.0	6.0
50.0	M12 x 28	21.0	17.0	4.0	65.0	M12 x 13	25.0	20.0	6.0
50.0	M12 x 33	21.0	17.0	4.0	65.0	M12 x 18	25.0	20.0	6.0
50.0	M12 x 38	21.0	17.0	4.0	65.0	M12 x 23	25.0	20.0	6.0
50.0	M12 x 43	21.0	17.0	4.0	65.0	M12 x 28	25.0	20.0	6.0
50.0	M12 x 48	21.0	17.0	4.0	65.0	M12 x 33	25.0	20.0	6.0
50.0	M12 x 53	21.0	17.0	4.0	65.0	M12 x 38	25.0	20.0	6.0
50.0	M12 x 58	21.0	17.0	4.0	65.0	M12 x 43	25.0	20.0	6.0
50.0	M12 x 63	21.0	17.0	4.0	65.0	M12 x 48	25.0	20.0	6.0
50.0	M12 x 68	21.0	17.0	4.0	65.0	M12 x 53	25.0	20.0	6.0
50.0	M12 x 73	21.0	17.0	4.0	65.0	M12 x 58	25.0	20.0	6.0
50.0	M12 x 78	21.0	17.0	4.0	65.0	M12 x 63	25.0	20.0	6.0
65.0	M10 x 8	25.0	20.0	6.0	65.0	M12 x 68	25.0	20.0	6.0
65.0	M10 x 13	25.0	20.0	6.0	65.0	M12 x 73	25.0	20.0	6.0
65.0	M10 x 18	25.0	20.0	6.0	65.0	M12 x 78	25.0	20.0	6.0
65.0	M10 x 23	25.0	20.0	6.0					

Šrouby kovové s plastovou hlavou Typ: 105-036-D/MxL
Materiál: PA, závit pozinkovaný; Barva: černá



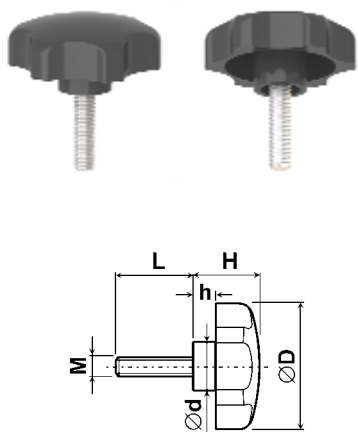
ØD	M x L	Ød	H	h	ØD	M x L	Ød	H	h
30.0	M 5 x 10	16.0	15.3	5.3	40.0	M10 x 40	19.6	20.0	8.5
30.0	M 6 x 10	16.0	15.3	5.3	40.0	M10 x 50	19.6	20.0	8.5
30.0	M 6 x 15	16.0	15.3	5.3	40.0	M10 x 60	19.6	20.0	8.5
30.0	M 6 x 20	16.0	15.3	5.3	40.0	M10 x 70	19.6	20.0	8.5
30.0	M 6 x 25	16.0	15.3	5.3	40.0	M10 x 80	19.6	20.0	8.5
30.0	M 6 x 30	16.0	15.3	5.3	50.0	M 8 x 10	20.0	20.0	8.0
30.0	M 6 x 40	16.0	15.3	5.3	50.0	M 8 x 12	20.0	20.0	8.0
30.0	M 6 x 45	16.0	15.3	5.3	50.0	M 8 x 15	20.0	20.0	8.0
30.0	M 6 x 50	16.0	15.3	5.3	50.0	M 8 x 20	20.0	20.0	8.0
30.0	M 6 x 65	16.0	15.3	5.3	50.0	M 8 x 25	20.0	20.0	8.0
30.0	M 6 x 70	16.0	15.3	5.3	50.0	M 8 x 30	20.0	20.0	8.0
40.0	M 6 x 10	19.6	20.0	8.5	50.0	M 8 x 35	20.0	20.0	8.0
40.0	M 6 x 15	19.6	20.0	8.5	50.0	M 8 x 40	20.0	20.0	8.0
40.0	M 6 x 20	19.6	20.0	8.5	50.0	M 8 x 50	20.0	20.0	8.0
40.0	M 6 x 30	19.6	20.0	8.5	50.0	M 8 x 60	20.0	20.0	8.0
40.0	M 6 x 35	19.6	20.0	8.5	50.0	M 8 x 70	20.0	20.0	8.0
40.0	M 6 x 40	19.6	20.0	8.5	50.0	M10 x 15	20.0	21.5	10.0
40.0	M 6 x 45	19.6	20.0	8.5	50.0	M10 x 20	20.0	21.5	10.0
40.0	M 6 x 50	19.6	20.0	8.5	50.0	M10 x 30	20.0	21.5	10.0
40.0	M 6 x 60	19.6	20.0	8.5	50.0	M10 x 35	20.0	21.5	10.0
40.0	M 8 x 10	19.6	20.0	8.5	50.0	M10 x 40	20.0	21.5	10.0
40.0	M 8 x 12	19.6	20.0	8.5	50.0	M10 x 50	20.0	21.5	10.0
40.0	M 8 x 15	19.6	20.0	8.5	50.0	M10 x 55	20.0	21.5	10.0
40.0	M 8 x 20	19.6	20.0	8.5	50.0	M10 x 60	20.0	21.5	10.0
40.0	M 8 x 25	19.6	20.0	8.5	50.0	M10 x 70	20.0	21.5	10.0
40.0	M 8 x 30	19.6	20.0	8.5	50.0	M10 x100	20.0	21.5	10.0
40.0	M 8 x 35	19.6	20.0	8.5	50.0	M12 x 20	20.0	21.5	10.0
40.0	M 8 x 40	19.6	20.0	8.5	50.0	M12 x 25	20.0	21.5	10.0
40.0	M 8 x 50	19.6	20.0	8.5	50.0	M12 x 30	20.0	21.5	10.0
40.0	M 8 x 60	19.6	20.0	8.5	50.0	M12 x 35	20.0	21.5	10.0
40.0	M10 x 15	19.6	20.0	8.5	50.0	M12 x 40	20.0	21.5	10.0
40.0	M10 x 20	19.6	20.0	8.5	50.0	M12 x 50	20.0	21.5	10.0
40.0	M10 x 30	19.6	20.0	8.5	50.0	M12 x 60	20.0	21.5	10.0

Šrouby kovové s plastovou hlavou Typ: 105-037-D/MxL
Materiál: PS, závit pozinkovaný; Barva: černá



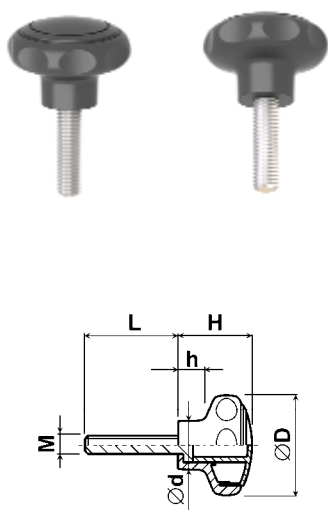
ØD	M x L	ød	H	h
30.0	M 6 x 12	13.5	18.0	8.0
30.0	M 6 x 17	13.5	18.0	8.0
30.0	M 6 x 22	13.5	18.0	8.0
30.0	M 8 x 20	13.5	18.0	8.0
40.0	M 8 x 20	16.0	18.0	7.0
40.0	M10 x 20	16.0	18.0	7.0
50.0	M 8 x 15	18.0	22.5	8.5
50.0	M 8 x 25	18.0	22.5	8.5
50.0	M10 x 20	18.0	22.5	8.5
50.0	M10 x 25	18.0	22.5	8.5
50.0	M10 x 30	18.0	22.5	8.5
60.0	M10 x 20	18.0	24.0	9.0
60.0	M10 x 25	18.0	24.0	9.0
60.0	M10 x 30	18.0	24.0	9.0

Šrouby kovové s plastovou hlavou Typ: 105a-007-D/MxL
Materiál: PP, závit pozinkovaný; Barva: černá



ØD	M x L	ød	H	h	ØD	M x L	ød	H	h
68.0	M 8 x 20	24.0	32.0	11.0	68.0	M10 x 50	24.0	32.0	11.0
68.0	M 8 x 25	24.0	32.0	11.0	68.0	M10 x 55	24.0	32.0	11.0
68.0	M 8 x 30	24.0	32.0	11.0	68.0	M10 x 60	24.0	32.0	11.0
68.0	M 8 x 35	24.0	32.0	11.0	68.0	M10 x 65	24.0	32.0	11.0
68.0	M 8 x 40	24.0	32.0	11.0	68.0	M10 x 70	24.0	32.0	11.0
68.0	M 8 x 45	24.0	32.0	11.0	68.0	M12 x 20	24.0	32.0	11.0
68.0	M 8 x 50	24.0	32.0	11.0	68.0	M12 x 25	24.0	32.0	11.0
68.0	M 8 x 55	24.0	32.0	11.0	68.0	M12 x 30	24.0	32.0	11.0
68.0	M 8 x 60	24.0	32.0	11.0	68.0	M12 x 35	24.0	32.0	11.0
68.0	M 8 x 65	24.0	32.0	11.0	68.0	M12 x 40	24.0	32.0	11.0
68.0	M 8 x 70	24.0	32.0	11.0	68.0	M12 x 45	24.0	32.0	11.0
68.0	M10 x 20	24.0	32.0	11.0	68.0	M12 x 50	24.0	32.0	11.0
68.0	M10 x 25	24.0	32.0	11.0	68.0	M12 x 55	24.0	32.0	11.0
68.0	M10 x 30	24.0	32.0	11.0	68.0	M12 x 60	24.0	32.0	11.0
68.0	M10 x 35	24.0	32.0	11.0	68.0	M12 x 65	24.0	32.0	11.0
68.0	M10 x 40	24.0	32.0	11.0	68.0	M12 x 70	24.0	32.0	11.0
68.0	M10 x 45	24.0	32.0	11.0					

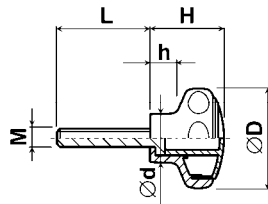
Šrouby kovové s plastovou hlavou Typ: 105a-068-D/MxL
Materiál: PA, závit pozinkovaný; Barva: černá



ØD	M x L	ød	H	h	ØD	M x L	ød	H	h
40.0	M 6 x 12	18.0	26.0	10.0	50.0	M 6 x 47	18.0	34.0	14.0
40.0	M 6 x 17	18.0	26.0	10.0	50.0	M 6 x 57	18.0	34.0	14.0
40.0	M 6 x 27	18.0	26.0	10.0	50.0	M 6 x 67	18.0	34.0	14.0
40.0	M 6 x 37	18.0	26.0	10.0	50.0	M 6 x 77	18.0	34.0	14.0
40.0	M 6 x 47	18.0	26.0	10.0	50.0	M 8 x 12	18.0	34.0	14.0
40.0	M 6 x 57	18.0	26.0	10.0	50.0	M 8 x 17	18.0	34.0	14.0
40.0	M 6 x 67	18.0	26.0	10.0	50.0	M 8 x 27	18.0	34.0	14.0
40.0	M 6 x 77	18.0	26.0	10.0	50.0	M 8 x 37	18.0	34.0	14.0
40.0	M 8 x 12	18.0	26.0	10.0	50.0	M 8 x 47	18.0	34.0	14.0
40.0	M 8 x 17	18.0	26.0	10.0	50.0	M 8 x 57	18.0	34.0	14.0
40.0	M 8 x 27	18.0	26.0	10.0	50.0	M 8 x 67	18.0	34.0	14.0
40.0	M 8 x 37	18.0	26.0	10.0	50.0	M 8 x 77	18.0	34.0	14.0
40.0	M 8 x 47	18.0	26.0	10.0	50.0	M 8 x 87	18.0	34.0	14.0
40.0	M 8 x 57	18.0	26.0	10.0	50.0	M 8 x 97	18.0	34.0	14.0
40.0	M 8 x 67	18.0	26.0	10.0	50.0	M 8 x117	18.0	34.0	14.0
40.0	M 8 x 77	18.0	26.0	10.0	50.0	M10 x 12	23.0	34.0	14.0
40.0	M 8 x 87	18.0	26.0	10.0	50.0	M10 x 17	23.0	34.0	14.0
40.0	M 8 x 97	18.0	26.0	10.0	50.0	M10 x 27	23.0	34.0	14.0
40.0	M 8 x117	18.0	26.0	10.0	50.0	M10 x 37	23.0	34.0	14.0
50.0	M 6 x 12	18.0	34.0	14.0	50.0	M10 x 47	23.0	34.0	14.0
50.0	M 6 x 17	18.0	34.0	14.0	50.0	M10 x 57	23.0	34.0	14.0
50.0	M 6 x 27	18.0	34.0	14.0	50.0	M10 x 67	23.0	34.0	14.0
50.0	M 6 x 37	18.0	34.0	14.0	50.0	M10 x 77	23.0	34.0	14.0

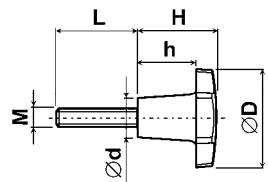


Šrouby kovové s plastovou hlavou Typ: 105a-068-D/MxL
Materiál: PA, závit pozinkovaný; Barva: černá



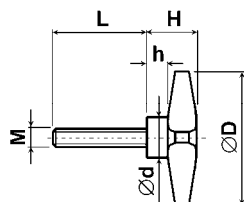
$\varnothing D$	M x L	$\varnothing d$	H	h	$\varnothing D$	M x L	$\varnothing d$	H	h
50.0	M10 x 87	23.0	34.0	14.0	63.0	M10 x 87	23.0	40.0	14.0
50.0	M10 x 97	23.0	34.0	14.0	63.0	M10 x 97	23.0	40.0	14.0
50.0	M10 x117	23.0	34.0	14.0	63.0	M10 x117	23.0	40.0	14.0
63.0	M 8 x 12	23.0	40.0	14.0	80.0	M10 x 17	25.0	52.0	20.0
63.0	M 8 x 17	23.0	40.0	14.0	80.0	M10 x 27	25.0	52.0	20.0
63.0	M 8 x 27	23.0	40.0	14.0	80.0	M10 x 37	25.0	52.0	20.0
63.0	M 8 x 37	23.0	40.0	14.0	80.0	M10 x 47	25.0	52.0	20.0
63.0	M 8 x 47	23.0	40.0	14.0	80.0	M10 x 57	25.0	52.0	20.0
63.0	M 8 x 57	23.0	40.0	14.0	80.0	M10 x 67	25.0	52.0	20.0
63.0	M 8 x 67	23.0	40.0	14.0	80.0	M10 x 77	25.0	52.0	20.0
63.0	M 8 x 77	23.0	40.0	14.0	80.0	M10 x 87	25.0	52.0	20.0
63.0	M 8 x 87	23.0	40.0	14.0	80.0	M10 x 97	25.0	52.0	20.0
63.0	M 8 x 97	23.0	40.0	14.0	80.0	M10 x117	25.0	52.0	20.0
63.0	M 8 x117	23.0	40.0	14.0	80.0	M12 x 37	25.0	52.0	20.0
63.0	M10 x 12	23.0	40.0	14.0	80.0	M12 x 47	25.0	52.0	20.0
63.0	M10 x 17	23.0	40.0	14.0	80.0	M12 x 57	25.0	52.0	20.0
63.0	M10 x 27	23.0	40.0	14.0	80.0	M12 x 67	25.0	52.0	20.0
63.0	M10 x 37	23.0	40.0	14.0	80.0	M12 x 77	25.0	52.0	20.0
63.0	M10 x 47	23.0	40.0	14.0	80.0	M12 x 87	25.0	52.0	20.0
63.0	M10 x 57	23.0	40.0	14.0	80.0	M12 x 97	25.0	52.0	20.0
63.0	M10 x 67	23.0	40.0	14.0	80.0	M12 x117	25.0	52.0	20.0
63.0	M10 x 77	23.0	40.0	14.0					

Šrouby kovové s plastovou hlavou Typ: 105-012-D/MxL
Materiál: termoset, závit pozinkovaný; Barva: černá



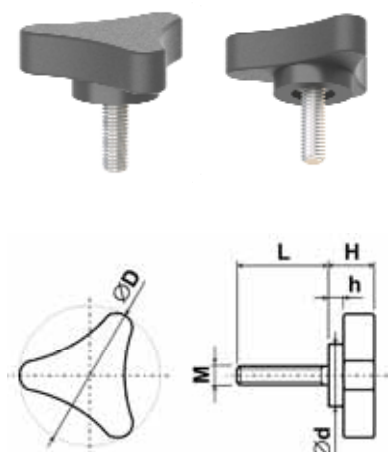
$\varnothing D$	M x L	$\varnothing d$	H	h
29.0	M 5 x 12	12.0	25.0	18.0
29.0	M 5 x 17	12.0	25.0	18.0
29.0	M 5 x 22	12.0	25.0	18.0
40.0	M 6 x 14	14.0	30.0	21.0
40.0	M 6 x 19	14.0	30.0	21.0
40.0	M 6 x 24	14.0	30.0	21.0
50.0	M 8 x 17	17.0	35.0	25.0
50.0	M 8 x 22	17.0	35.0	25.0
50.0	M 8 x 25	17.0	35.0	25.0
60.0	M10 x 17	21.0	40.0	28.0
60.0	M10 x 22	21.0	40.0	28.0
60.0	M10 x 32	21.0	40.0	28.0
68.0	M12 x 24	25.0	45.0	31.0
68.0	M12 x 34	25.0	45.0	31.0

Šrouby kovové s plastovou hlavou Typ: 105a-034-D/MxL
Materiál: PA, závit pozinkovaný; Barva: černá



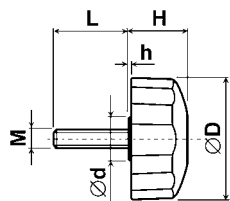
$\varnothing D$	M x L	$\varnothing d$	H	h	$\varnothing D$	M x L	$\varnothing d$	H	h
40.0	M 5 x 10	16.0	22.0	9.0	60.0	M 6 x 10	17.0	22.0	9.0
40.0	M 5 x 15	16.0	22.0	9.0	60.0	M 6 x 15	17.0	22.0	9.0
40.0	M 5 x 20	16.0	22.0	9.0	60.0	M 6 x 20	17.0	22.0	9.0
40.0	M 5 x 25	16.0	22.0	9.0	60.0	M 6 x 25	17.0	22.0	9.0
40.0	M 5 x 30	16.0	22.0	9.0	60.0	M 6 x 30	17.0	22.0	9.0
40.0	M 6 x 10	16.0	22.0	9.0	60.0	M 6 x 35	17.0	22.0	9.0
40.0	M 6 x 15	16.0	22.0	9.0	60.0	M 6 x 40	17.0	22.0	9.0
40.0	M 6 x 20	16.0	22.0	9.0	60.0	M 8 x 15	17.0	22.0	9.0
40.0	M 6 x 25	16.0	22.0	9.0	60.0	M 8 x 20	17.0	22.0	9.0
40.0	M 6 x 30	16.0	22.0	9.0	60.0	M 8 x 25	17.0	22.0	9.0
40.0	M 6 x 35	16.0	22.0	9.0	60.0	M 8 x 30	17.0	22.0	9.0
40.0	M 6 x 40	16.0	22.0	9.0	60.0	M 8 x 35	17.0	22.0	9.0
40.0	M 8 x 15	16.0	22.0	9.0	60.0	M 8 x 40	17.0	22.0	9.0
40.0	M 8 x 20	16.0	22.0	9.0	60.0	M10 x 15	17.0	22.0	9.0
40.0	M 8 x 25	16.0	22.0	9.0	60.0	M10 x 20	17.0	22.0	9.0
40.0	M 8 x 30	16.0	22.0	9.0	60.0	M10 x 25	17.0	22.0	9.0
40.0	M 8 x 35	16.0	22.0	9.0	60.0	M10 x 30	17.0	22.0	9.0
40.0	M 8 x 40	16.0	22.0	9.0	60.0	M10 x 35	17.0	22.0	9.0
60.0	M 5 x 15	17.0	22.0	9.0	60.0	M10 x 40	17.0	22.0	9.0

Šrouby kovové s plastovou hlavou Typ: 105f-007-D/MxL
Materiál: PP, závit pozinkovaný; Barva: černá



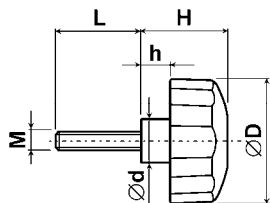
$\varnothing D$	$M \times L$	$\varnothing d$	H	h
45.0	M 8 x 18	20.0	14.5	5.0
45.0	M 8 x 23	20.0	14.5	5.0
45.0	M 8 x 28	20.0	14.5	5.0
45.0	M 8 x 33	20.0	14.5	5.0
45.0	M 8 x 38	20.0	14.5	5.0
45.0	M 8 x 43	20.0	14.5	5.0
45.0	M 8 x 48	20.0	14.5	5.0
45.0	M 8 x 53	20.0	14.5	5.0
45.0	M 8 x 58	20.0	14.5	5.0
45.0	M 8 x 63	20.0	14.5	5.0
45.0	M 8 x 68	20.0	14.5	5.0
45.0	M10 x 18	20.0	14.5	5.0
45.0	M10 x 23	20.0	14.5	5.0
45.0	M10 x 28	20.0	14.5	5.0
45.0	M10 x 33	20.0	14.5	5.0
45.0	M10 x 38	20.0	14.5	5.0
45.0	M10 x 43	20.0	14.5	5.0
45.0	M10 x 48	20.0	14.5	5.0
45.0	M10 x 53	20.0	14.5	5.0
45.0	M10 x 58	20.0	14.5	5.0
45.0	M10 x 63	20.0	14.5	5.0
45.0	M10 x 68	20.0	14.5	5.0
45.0	M10 x 73	20.0	14.5	5.0
45.0	M10 x 78	20.0	14.5	5.0

Šrouby kovové s plastovou hlavou Typ: 105a-037-D/MxL
Materiál: PP, závit pozinkovaný; Barva: černá



$\varnothing D$	$M \times L$	$\varnothing d$	H	h
50.0	M 8 x 10	17.5	25.5	1.5
50.0	M 8 x 15	17.5	25.5	1.5
50.0	M 8 x 20	17.5	25.5	1.5
50.0	M 8 x 25	17.5	25.5	1.5
50.0	M 8 x 30	17.5	25.5	1.5

Šrouby kovové s plastovou hlavou Typ: 105b-037-D/MxL
Materiál: PP, závit pozinkovaný; Barva: černá

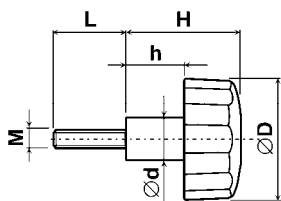


$\varnothing D$	$M \times L$	$\varnothing d$	H	h
50.0	M 8 x 15	17.5	35.5	11.5
50.0	M 8 x 25	17.5	35.5	11.5
50.0	M 8 x 30	17.5	35.5	11.5

Šrouby kovové s plastovou hlavou Typ: 105c-037-D/MxL(H)
Materiál: PP, závit pozinkovaný; Barva: černá



$\varnothing D$	$M \times L$	$\varnothing d$	H	h
50.0	M 8 x 30	17.5	49.5	25.5
50.0	M 8 x 30	17.5	54.0	30.0 (s kovovou dosedací plochou)



Šrouby kovové s plastovou hlavou Typ: 105d-037-D/MxL
Materiál: PP, závit pozinkovaný; Barva: černá



$\varnothing D$	$M \times L$	$\varnothing d$	$\varnothing d1$	H	h
50.0	M 8 x 30	15.0	11.0	77.0	23.0

